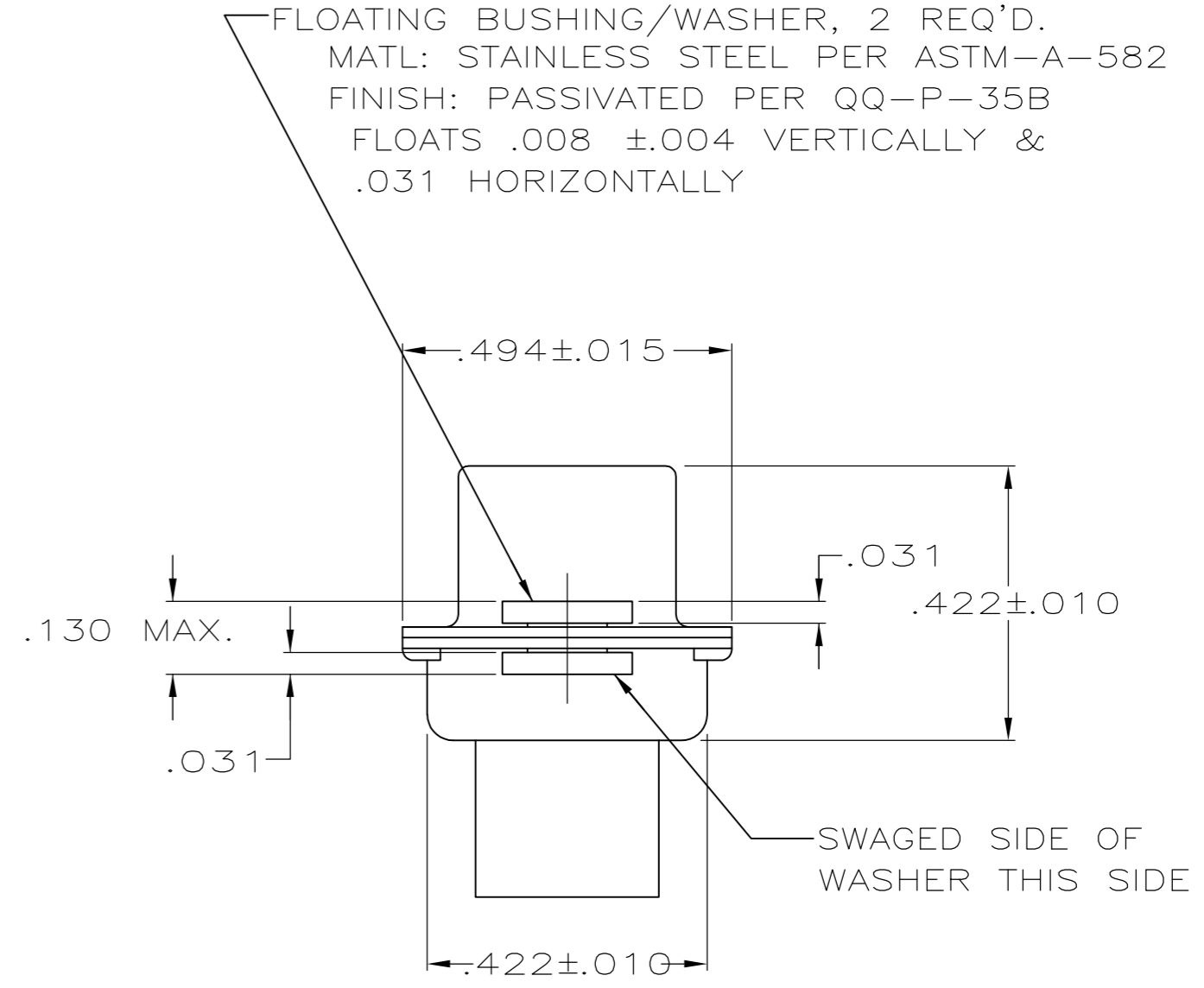
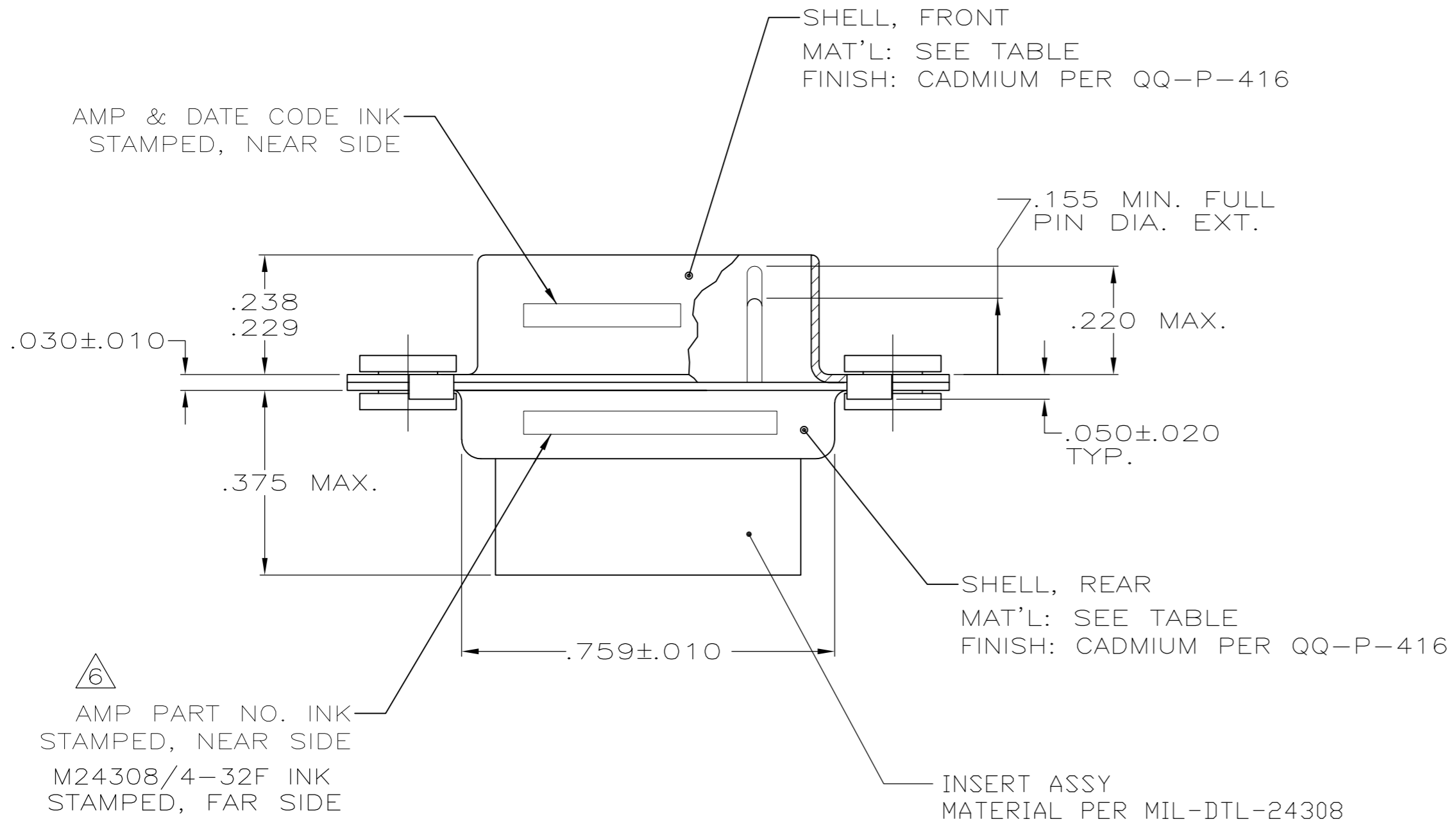
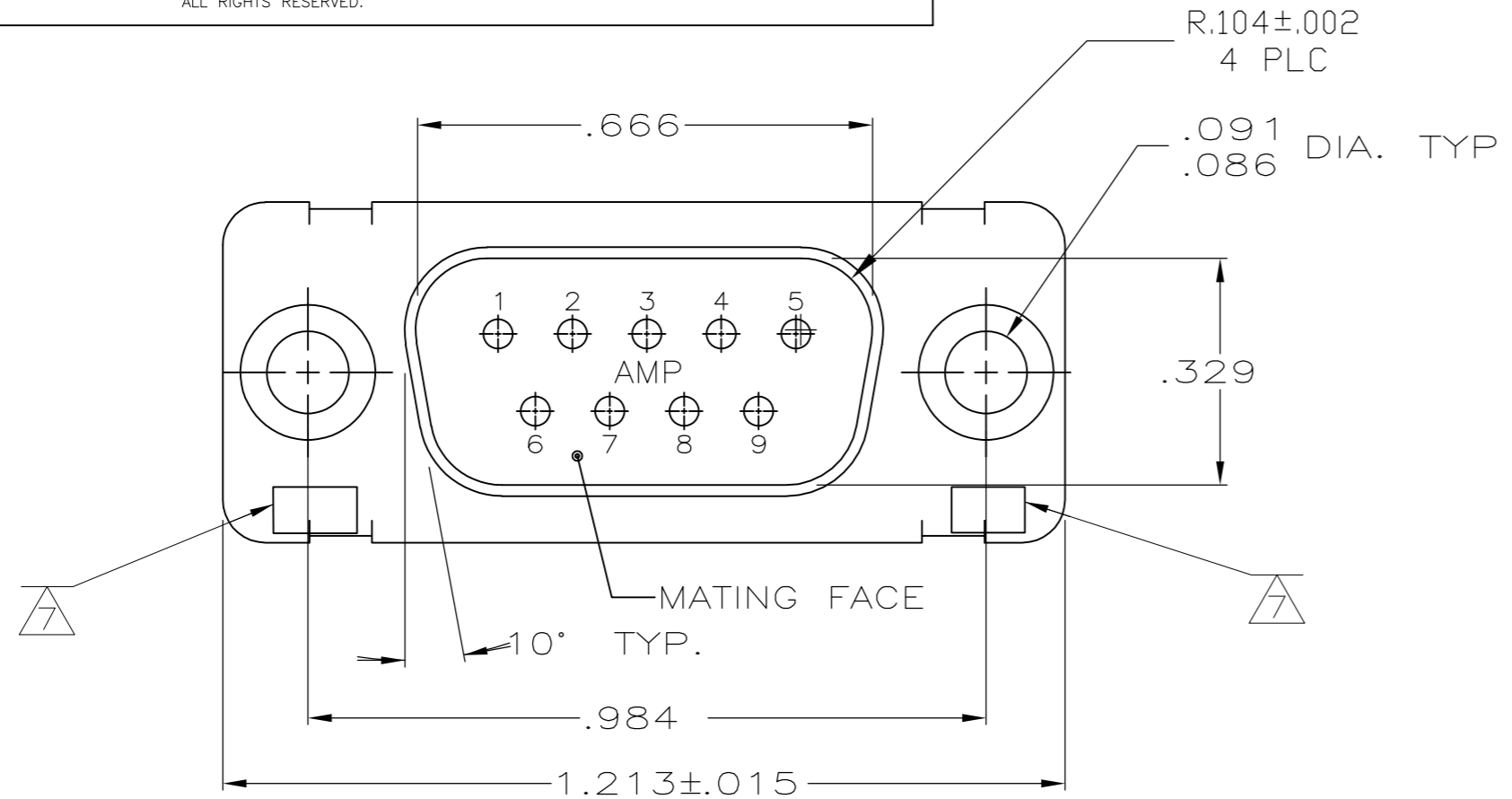


THIS DRAWING IS UNPUBLISHED. RELEASED FOR PUBLICATION
 © COPYRIGHT - By - ALL RIGHTS RESERVED.

LOC		DIST		REVISIONS			
P	LTR	DESCRIPTION	DATE	DWN	APVD		
-	-	P	P	REV PER ECO-15-016062	10NOV15	KG	CD



- THIS PLUG IS DESIGNED TO CONFORM TO THE LATEST ISSUE OF MIL-C-24308
 - MAX WIRE INSUL. TO BE USED WITH THIS PLUG IS .068 DIA.
 - STAINLESS STEEL RETENTION CLIPS ARE INCLUDED IN INSERTS
 - PACKAGE STAMPED M 24308/4-325F
 - THIS PLUG WILL ACCEPT SIZE 20 PIN CONTACT M24308/11 OR AMP # 205089
- △ AMP PART NO. STAMPED ON CONNECTOR REPRESENTS KIT NUMBER WITH CONTACTS
- △ UL/CSA DESIGNATION STAMPED IN THIS AREA.

OBSOLETE	BRASS	205412-2
	STL PER ASTM-A-109	205412-1
	SHELL MATL.	PART NO.

THIS DRAWING IS A CONTROLLED DOCUMENT.		DWN	12-8-87	C.C.THOMAS	
DIMENSIONS: INCHES		CHK	12-10-87	FC BALLEW III	
TOLERANCES UNLESS OTHERWISE SPECIFIED:		APVD	-	NAME	
0 PLC	± -	PRODUCT SPEC	-	PLUG ASSY,AMPLITE,SIZE 1	
1 PLC	± -	APPLICATION SPEC	-	SERIES 109 W/FLOAT BUSHINGS	
2 PLC	± -	WEIGHT	-	SIZE	CAGE CODE
3 PLC	± .005	CUSTOMER DRAWING	-	A2	00779
4 PLC	± -	SCALE	4:1	DRAWING NO	C=205412
ANGLES	± -	SHEET	1 of 1	RESTRICTED TO	-
MATERIAL	FINISH	REV	P		
SEE CALLOUTS	SEE CALLOUTS				